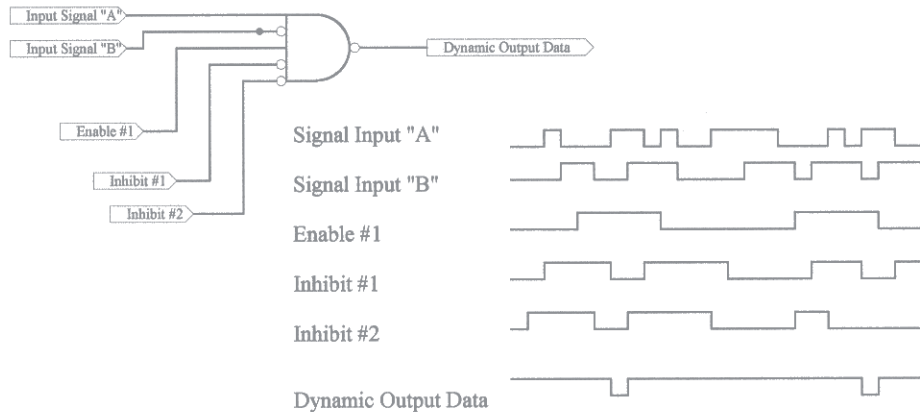


# Coincidence Gating of 2 Signal Inputs, when Enabled and NOT Inhibited

Note that the Gate is ONLY Active when Enabled by "Enable #1",  
and NOT Inhibited by "Inhibit #1", or "Inhibit #2".

When the Gate is Active, the Data Output will be Driven Low

ONLY when Data Input "A" is High, and Data Input "B" is Low.



Title			Coincidence Gating, with Enable/Inhibit Controls		
Size	Number			Revision	1
A	Solutions For Education				
Date:	1-Jul-2001	Sheet 2 of	2		
File:	C:\CLIENT_3\COINCID2.SCH	Drawn By:	SFE-DCS, ddf		